

HDMI SPLITTER



P/N: HNT-HS102/104 (1 input, 2 output/1 input, 4 output)

1. INTRODUCTION

The HDMI splitter distributes the input of the HDMI signal into the two identical outputs simultaneously. It supports HDCP and the real HDMI 1.3 version. Its video amplifier bandwidth can be up to 2.25 Gpbs/225MHz. This splitter offers solutions for HDTV retail and show site, HDTV, STB, DVD and Projector factory, noise, space and security concerns, data center control, information distribution, conference room presentation, school and corporate training environments.

2. SPECIFICATIONS

Input Video Signal	0.5 -1.0 volts p-p
Input DDC Signal	5 volts p-p (TTL)
Maximum Single Link Range	1920X1200, 1080P
Output Video	HDMI 1.3+ HDCP1.0/1.1/1.2
VGA	640x480,800x600,1024x768,1920x1200
DTV/HDTV	480i/576i/480p/576p/720p/1080i/1080P
HDMI Compliance	HDMI 1.3
Frequency	Up to 225MHz
Interlaced(50&60Hz)	480i,576i,1080i,1080p
Progressive(50&60Hz)	480p,576p,720p,1080p

Limited Warranty	1 Year Parts and Labor
Operating Temperature	0□ to +70□
Operating Humidity	10% to 85 % RH (no condensation)
Storage Temperature	-10□ to +80□
Storage Humidity	5% to 90 % RH (no condensation)
External Power Supply	5V DC@ 3A
AC Power Adapter	US standard, UK standard and so on

3. PACKING CONTENT

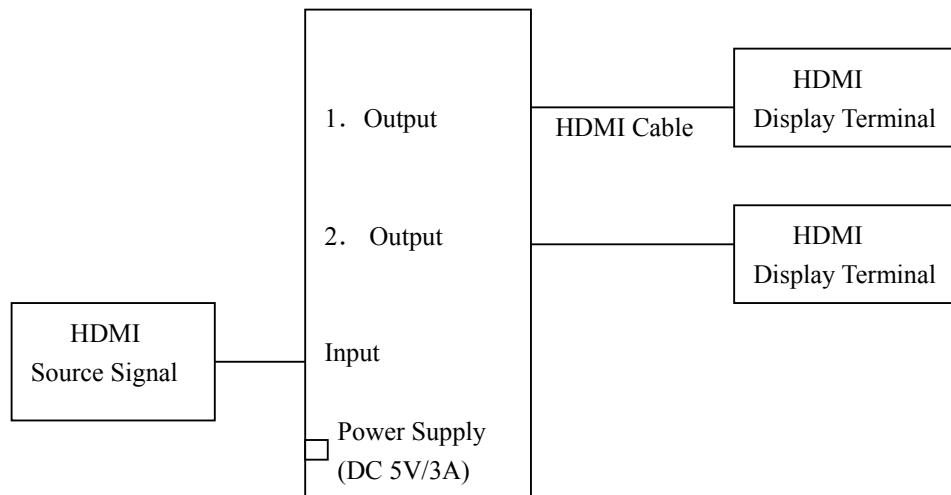
- 1) HDMI Splitter.
- 2) 5V/3A DC Power Supply.
- 3) User Manual.

4. CONNECTION AND OPERATION

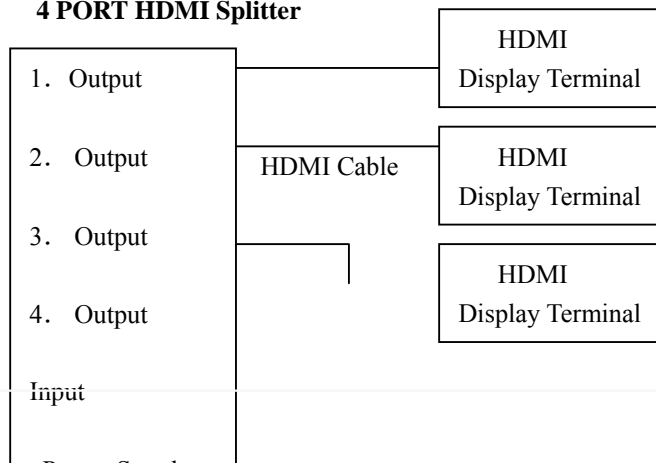
- 1) Connect the HDMI input source and output devices into the HDMI Splitter.
- * Refer to the connection diagram section.
- 2) Connect the 5V/3A power supply into the splitter.
 - 3) Turn on the power.

5. CONNECTION DIAGRAM

2 PORT HDMI Splitter



4 PORT HDMI Splitter





6. NOTICE

Lianhontai Electronics reserves the right to make changes in the hardware, software, packaging, outlook and any accompanying documentation without prior notification. For more information, please refer to www.szht.com